



THE Z4



# THE BMW Z4.



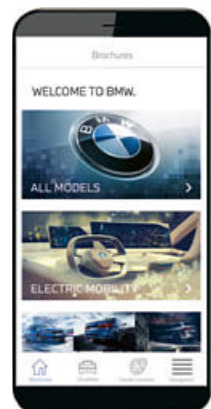
**18** Highlights



**20** Worlds of colour

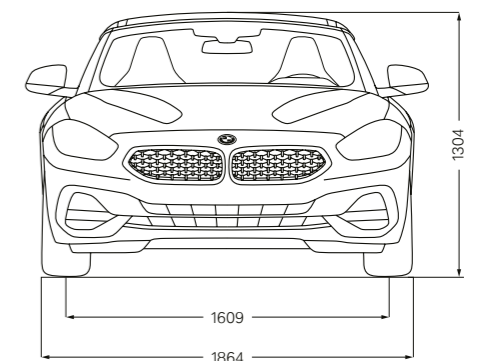


**24** Wheels and tyres / Original BMW Accessories



## YOUR NEW SPEED DATING APP.

DOWNLOAD NOW THE BMW BROCHURES APP FROM YOUR APP STORE AND DISCOVER DRIVING PLEASURE!



**26** Technical data





TIME TO  
OPEN UP.



LIFE IS BEAUTIFUL.





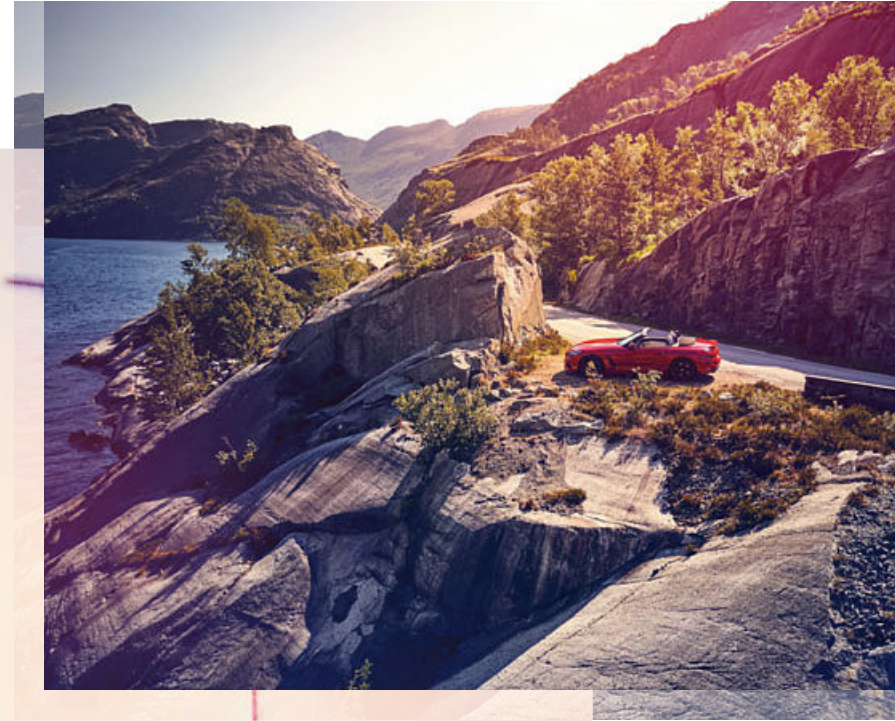


FOR EXPERIENCE COLLECTORS.





RAYS OF SUNLIGHT.







TO IDOLISE.



RATIONALLY  
BREAKS EVERY RULE.





STATEMENT OF INDEPENDENCE.  
THE BMW Z4.





# HIGHLIGHTS.

Discover even more with the new BMW Brochures app. Available now, for your smartphone and tablet.

■ Standard equipment □ Optional equipment



□ The basic configuration of the BMW Z4 sDrive20i consists of the optional Glaciersilber metallic paint finish and optional 18" light alloy wheels V-spoke style 770 in Ferric Grey with mixed tyres.



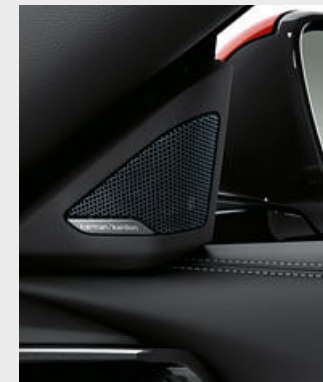
□ The powerful M Sport brake<sup>1,2</sup> features large brake discs and exclusive blue-painted brake callipers with the M logo.



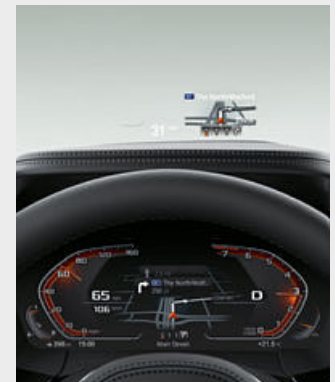
□ The 8-speed Steptronic Sport transmission<sup>2</sup> allows very sporty gear changes both automatically and manually via shift paddles or gear selector lever.



□ M Sports seats<sup>2,\*</sup> with integrated headrests, deep seats, high side bolsters and flared upper side panels provide improved lateral support for driver and front passenger.



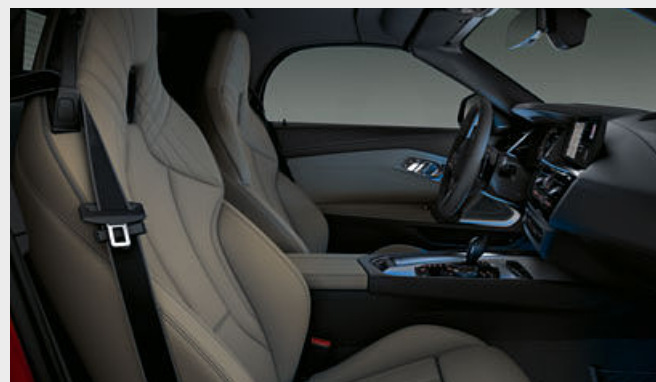
□ Harman Kardon Surround Sound System\* with 408-watt digital amplifier, seven channels, vehicle-specific equalizing and twelve loudspeakers.



□ The full-colour BMW Head-Up Display<sup>3</sup> projects information relevant to the journey directly into the driver's field of vision.



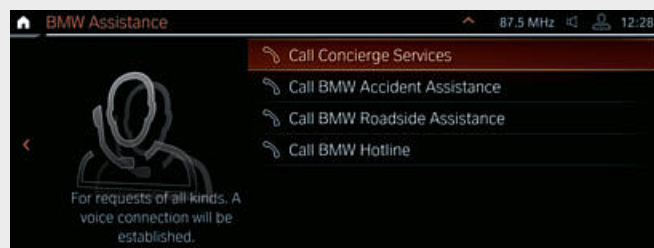
□ Adaptive LED headlights\* with full LED technology include integrated turn indicators, low beam headlights, high beam headlights, as well as daytime running lights for safety and optimal illumination of the road. The glare-free High-beam assistant and Adaptive Headlights with variable light control significantly improve visibility in the dark for more relaxed driving almost like during the day.



□ Ambient light creates a relaxed, cosy lighting atmosphere in the interior. There are eleven predefined light designs available in six different colours, with contour and ambient lighting on the instrument panel, door trim and centre console.



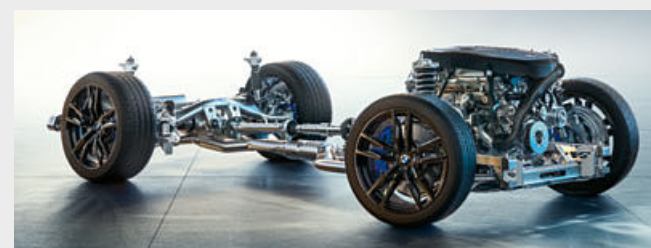
□ The BMW Z4 sDrive30i with the M Sport package in Misano Blue metallic and optional 19" M light alloy wheels Double-spoke style 799 M in Bicolour Jet Black, gloss-lathed, with mixed tyres.



□ Concierge Service, Remote Services, BMW Maps, smartphone integration incl. Apple CarPlay and Android Auto or In-Car Experiences? Why order individual options when you can have everything? With the Connected Package Professional<sup>3,\*</sup>, you can get these services from BMW ConnectedDrive.



□ The safety package Driving Assistant<sup>4,\*</sup> includes the camera-based systems front collision warning with braking function, Speed Limit Assist incl. Speed Limit Info with No-overtaking indicator with preview and Lane Departure Warning. Additionally, the radar-based equipment includes Crossing traffic warning rear, Lane Change Warning and Rear collision warning.



□ The 10 millimetre lowered Adaptive M suspension<sup>2</sup> can be electrically adjusted at any time to suit the road and driving conditions. Drivers can also adjust the suspension characteristics via the Driving Experience Control to enable their preferred driving style at the time – from comfortable to extremely athletic with markedly agile handling.



□ The BMW Live Cockpit Professional with navigation function includes two high-quality displays consisting of a high-resolution 10.25" Control Display that can be operated by touch and a fully digital 10.25" instrument display. The BMW Operating System 7 can also be operated via the iDrive Touch Controller.\*

<sup>1</sup> Only available in conjunction with M Sport package.

<sup>2</sup> Standard for M40i.

<sup>3</sup> Smartphone Integration is permanently available in the vehicle. It includes Apple CarPlay and Android Auto. Android Auto linking is only possible in conjunction with a BMW Live Cockpit. Due to possible future technical developments (e.g. of mobile phones), the usability of the Apple CarPlay or Google Android Auto service cannot be guaranteed permanently. CarPlay is a trademark of Apple Inc. Android Auto is a trademark of Google LLC.

<sup>4</sup> Function may be limited in darkness, fog or bright glare.

<sup>5</sup> The information in the BMW Head-Up Display is not fully visible when viewed through polarised sunglasses. Content shown will depend on the equipment options chosen. Further optional equipment is required for the display.

\* The availability of some equipment features and functions depends on engine variants or additional options. The market and production availability may vary. You can find detailed information about terms, standard and optional equipment at [www.bmw.com](http://www.bmw.com) or from your BMW Partner.

Some ConnectedDrive Services may differ between countries. Please consult your local BMW partner for more information.



# EXTERIOR COLOURS.

Discover even more with the new BMW Brochures app. Available now, for your smartphone and tablet.

■ Standard equipment □ Optional equipment



■ Non-metallic 300 Alpine White

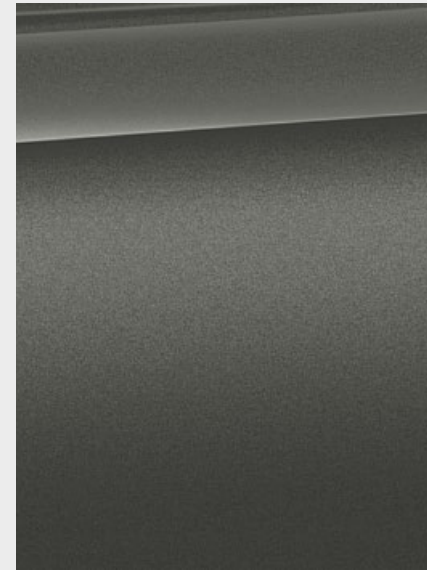


□ Metallic A96 Mineral White

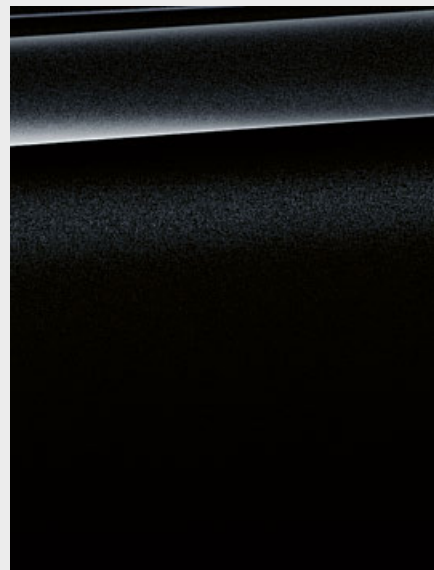


□ Metallic A83 Glacier Silver<sup>1</sup>

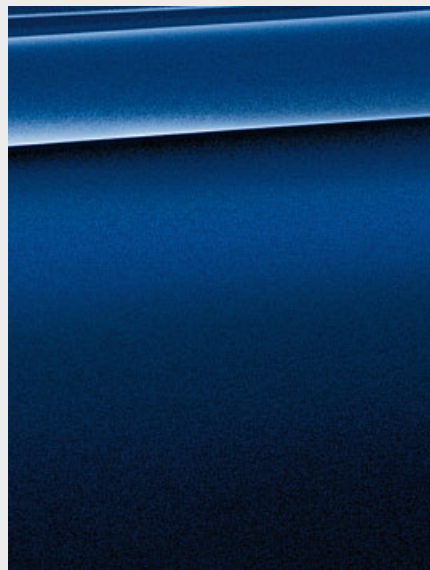
## BMW INDIVIDUAL



□ BMW Individual C37 Frozen Grey metallic<sup>2</sup>



□ Metallic 475 Black Sapphire<sup>1</sup>



□ Metallic C10 Mediterranean Blue



□ Metallic C34 San Francisco Red<sup>1</sup>

## M SPORT PACKAGE



□ Metallic C1D M Misano Blue metallic<sup>2</sup>

**[Colour samples]** These colour samples are intended as an initial guide to the colours and materials available for your BMW. However, experience has shown that printed versions of paint, upholstery and interior trim colours cannot in all cases faithfully reproduce the appearance of the original colour. Please discuss your preferred colour choices with your BMW partner or in your dealership. There you can also see original colour samples and be assisted with special requests.

<sup>1</sup> Optionally available with the M Sport package and M40i.  
<sup>2</sup> Exclusively available for the M Sport package and M40i.

The availability of some equipment features and functions depends on engine variants or additional options. The market and production availability may vary. You can find detailed information about terms, standard and optional equipment at [www.bmw.com](http://www.bmw.com) or from your BMW Partner.



# INTERIOR COLOURS.

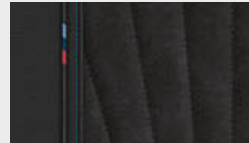
Discover even more with the new BMW Brochures app. Available now, for your smartphone and tablet.

■ Standard equipment □ Optional equipment



## CLOTH/LEATHER COMBINATION

Available with

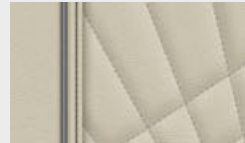


■ M Sport package

Leather 'Vernasca' / Alcantara combination HCNL Black, contrast stitching Blue

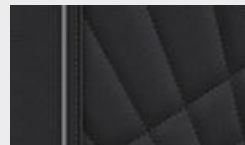
## LEATHER

Available with



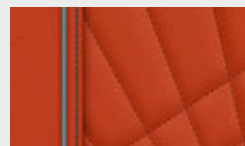
■ Sport Line  
■ M Sport package

Leather 'Vernasca' MAEY Ivory White decor stitching, interior colour Black



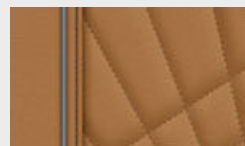
■ Sport Line  
■ M Sport package

Leather 'Vernasca' MAH7 Black decor stitching, interior colour Black



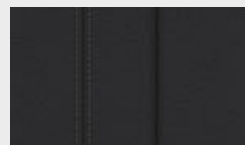
■ Sport Line  
■ M Sport package

Leather 'Vernasca' MAKN Magma Red decor stitching, interior colour Black



■ Sport Line  
■ M Sport package

Leather 'Vernasca' MAPQ Cognac decor stitching, interior colour Black



■ Base

Leather 'Vernasca' MASW Black, interior colour Black\*

## INTERIOR TRIM

Available with



■ Base

Interior trim finishers Quartz Silver matt.\*



□ Base  
□ Sport Line  
□ M Sport package

Interior trim finishers Aluminium 'Mesheffect'.<sup>1</sup>



□ Base  
■ Sport Line  
■ M Sport package

Interior trim finishers black high-gloss.



□ M Sport package

Interior trim finishers Aluminium Tetragon.<sup>1</sup>

Please note that even normal long- or short-term use can lead to unrecoverable upholstery damage. This can be caused in particular by non-colourfast clothing.

Please note that the interior colour depends on the selected upholstery colour.

<sup>1</sup> Standard for M40i.

\* The availability of some equipment features and functions depends on engine variants or additional options. The market and production availability may vary. You can find detailed information about terms, standard and optional equipment at [www.bmw.com](http://www.bmw.com) or from your BMW Partner.



# WHEELS AND TYRES.

Discover even more with the new BMW Brochures app. Available now, for your smartphone and tablet.



■ 17" light alloy wheels V-spoke style 768 in Reflex Silver with mixed tyres and runflat tyres, front wheel size 7.5J x 17, 225/50 R17 tyres, rear wheel size 8.5J x 17, 255/45 R17 tyres.



□ 18" light alloy wheels V-spoke style 770 in Ferric Grey with mixed tyres, front wheel size 8J x 18, 225/45 ZR18 tyres, rear wheel size 9J x 18, 255/40 ZR18 tyres.<sup>1</sup>



■ 18" alloy wheels V-spoke style 770 in Bicolour Orbit Grey with mixed tyres, burnished, front wheel size 8J x 18, 225/45 ZR18 tyres, rear wheel size 9J x 18, 255/40 ZR18 tyres.<sup>1,3</sup>



■ 18" M light alloy wheels Double-spoke style 798 M in Bicolour Ferric Grey with mixed tyres, burnished, front wheel size 8J x 18, 225/45 ZR18 tyres, rear wheel size 9J x 18, 255/40 ZR18 tyres.<sup>1,6</sup>



□ 18" M alloy wheels Double-spoke style 798 M in Bicolour Orbit Grey with mixed tyres, burnished, front wheel size 9J x 18, 255/40 ZR18 tyres, rear wheel size 10J x 18, 275/40 ZR18 tyres.<sup>2,6</sup>



□ 19" light alloy wheels V-spoke style 772 in Bicolour Ferric Grey with mixed tyres, burnished, front wheel size 9J x 19, 255/35 ZR19 tyres, rear wheel size 10J x 19, 275/35 ZR19 tyres.<sup>1,3</sup>



□ 19" M light alloy wheels Double-spoke style 799 M in Bicolour jet black with mixed tyres, burnished, front wheel size 9J x 19, 255/35 ZR19 tyres, rear wheel size 10J x 19, 275/35 ZR19 tyres.<sup>4</sup>



□ 19" M light alloy wheels Double-spoke style 800 M in Bicolour Cerium Grey matt with mixed tyres, burnished, front wheel size 9J x 19, 255/35 ZR19 tyres, rear wheel size 10J x 19, 275/35 ZR19 tyres.<sup>5</sup>



□ 19" M alloy wheels Double-spoke style 799 M in jet black uni with mixed tyres, front wheel size 9J x 19, 255/35 ZR19 tyres, rear wheel size 10J x 19, 275/35 ZR19 tyres.<sup>4</sup>

<sup>1</sup> Not available for M40i.

<sup>2</sup> Standard for M40i.

<sup>3</sup> Only available in conjunction with Sport Line.

<sup>4</sup> Only available in conjunction with M Sport package or for M40i.

<sup>5</sup> Not available for M40i.

<sup>6</sup> Only available in conjunction with M Sport package.

# ORIGINAL BMW ACCESSORIES.

Equipment 24 | 25

■ Standard equipment □ Optional equipment ○ Accessories



○ High-quality 17" BMW light alloy wheels V-spoke style 768 in Ferric Grey with mixed tyres and runflat tyres. TPMS winter complete wheels, wheel size front 7.5J x 17 with 225/50 R17 tyres, wheel size rear 8J x 17 with 225/50 R17 tyres.



○ High-quality 18" BMW light alloy wheels Double-spoke style 798 M in Orbit Grey with mixed tyres. TPMS winter complete wheels, wheel size front 8.5J x 18 with 255/40 R18 tyres, wheel size rear 9J x 18 with 255/40 R18 tyres.



○ The floating hub cap consists of the BMW logo that no longer turns with the wheel but instead remains level. The hub cap can be mounted to all BMW light alloy wheels with a pitch circle diameter of 112 mm.



○ The high-quality BMW valve caps from aluminium protect TPMS aluminium valves effectively from dirt and moisture. At the same time, they enhance the appearance of the tyre. With BMW logo.



○ The perfectly fitted, durable BMW all-weather floor mats with a raised border and elegant design protect the footwell against moisture and dirt. They are black and feature a black-silver Z4 inlay.



○ The BMW wireless charging cover enables inductive charging of the Apple iPhone™ 7 Plus. This innovative mobile phone case is compatible with all Qi certified chargers and also serves as a protective cover.

Discover the wide range of innovative solutions available for the exterior and interior, communication and information, and for transportation and the luggage compartment. Your BMW Partner is on hand to advise you on the whole range of Original BMW Accessories and the BMW M Performance Parts product portfolio. For further information, please visit [www.bmw.com](http://www.bmw.com)

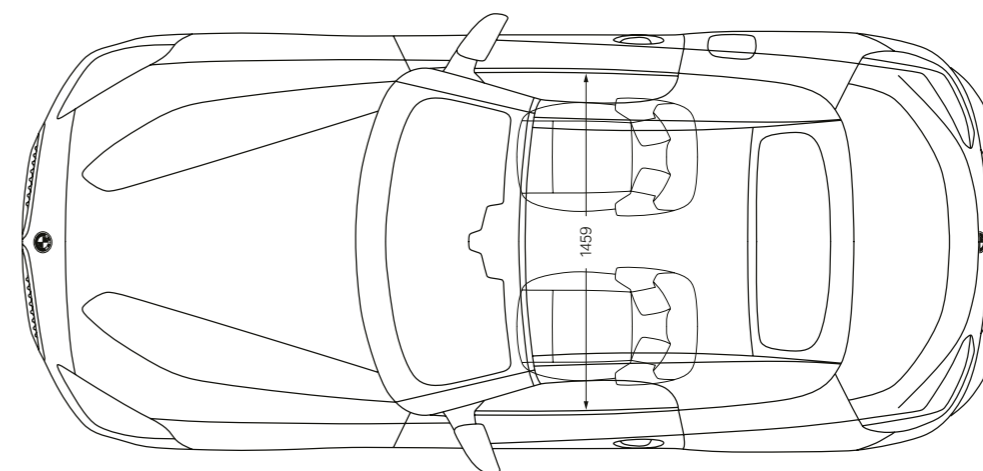
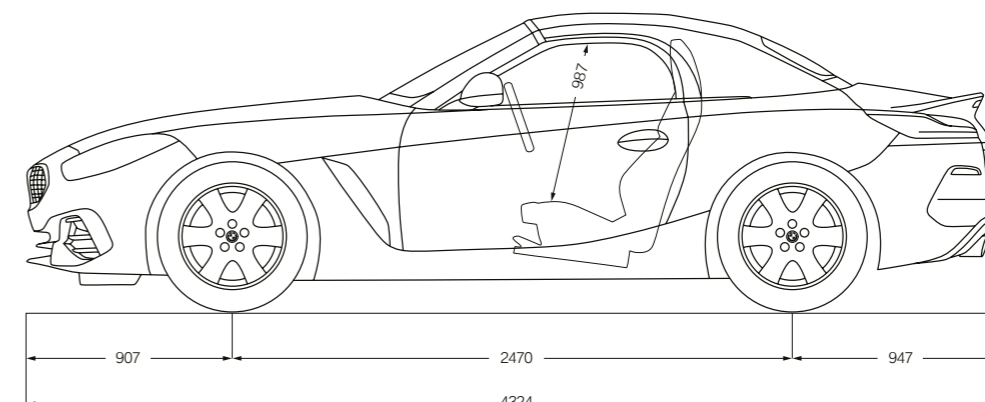
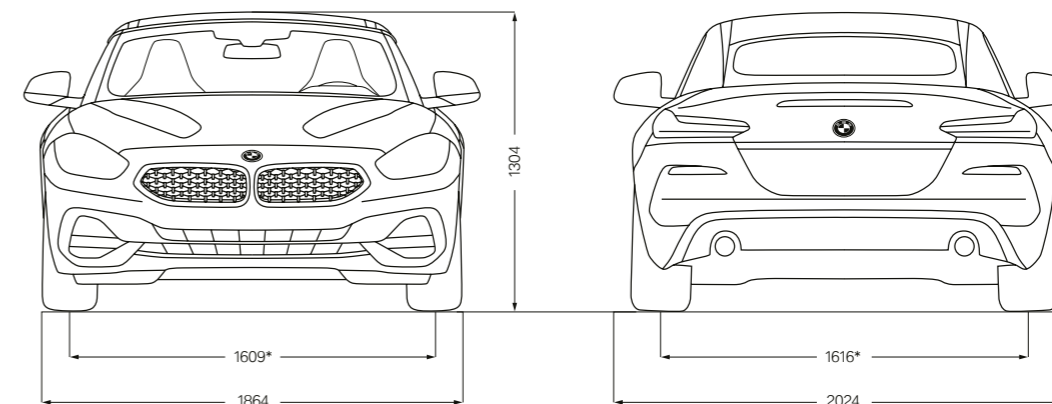
The availability of some equipment features and functions depends on engine variants or additional options. The market and production availability may vary. You can find detailed information about terms, standard and optional equipment at [www.bmw.com](http://www.bmw.com) or from your BMW Partner.



BMW Z4		sDrive20i	sDrive30i	M40i
<b>Weight</b>				
Unladen weight EU <sup>1</sup>	kg	1495 [1505]	[1505]	[1630]
Maximum permissible weight	kg	1725 [1740]	[1740]	[1860]
Permitted load	kg	305 [310]	[310]	[305]
Luggage capacity	l	281	281	281
<b>BMW TwinPower Turbo engine<sup>2</sup></b>				
Cylinders/valves		4/4	4/4	6/4
Capacity	cm <sup>3</sup>	1998	1998	2998
Max. output/engine speed	kW (hp)/rpm	145–120(197–163)/4500–6500	190 (258)/5000–6500	250 (340)/5000–6500
Max. torque/engine speed	Nm/rpm	320/1450–4200	400/1550–4400	500/1600–4500
<b>Power transmission</b>				
Type of drive		Rear-wheel	Rear-wheel	Rear-wheel
Standard transmission		6-speed manual	8-speed Steptronic Sport	8-speed Steptronic Sport
<b>Performance</b>				
Top speed	km/h	241–227 [240–226]	[250]*	[250]*
Acceleration 0–100 km/h	s	6.8–7.6 [6.6–7.4]	[5.4]	[4.5]
<b>Consumption<sup>2,3</sup> – All engines conform to the EU6 standard</b>				
Urban	l/100 km	9.1 [7.2]	[7.3–7.4]	[9.1–9.2]
Extra-urban	l/100 km	5.3–5.6 [5.0–5.2]	[5.1–5.3]	[5.9–6.0]
Combined	l/100 km	6.7–6.9 [5.8–6.0]	[5.9–6.0]	[7.1–7.2]
Exhaust emissions standard (type-certified)		EU6d	EU6d	EU6d
Combined CO <sub>2</sub> emissions	g/km	154–158 [133–136]	[136–138]	[162–164]
Tank capacity, approx.	l	52	52	52
<b>Wheels/tyres</b>				
Tyre dimensions		225/50 R17 W 255/45 R17 W	225/50 R17 W 255/45 R17 W	255/40 ZR18 Y 275/40 ZR18 Y
Wheel size		7.5J x 17 8.5J x 17	7.5J x 17 8.5J x 17	9J x 18 10J x 18
Material		Light alloy	Light alloy	Light alloy

The figures for performance, fuel consumption and CO<sub>2</sub> emissions refer to vehicles with standard transmission. Figures in [ ] are for vehicles with Steptronic transmission.

<sup>1</sup> The EC unladen weight refers to a vehicle with standard equipment and does not include any optional extras. The unladen weight includes a 90% full tank and a driver weight of 75 kg. Optional equipment may affect the weight of the vehicle, the payload and the top speed if the selected equipment has an impact on the vehicle's aerodynamics.  
<sup>2</sup> Performance data of petrol engines apply to vehicles using RON 98 fuel. Fuel consumption data apply to vehicles using reference fuels in accordance with EU Regulation 2007/715. Unleaded RON 91 and higher with a maximum ethanol content of 10% (E10) may also be used. BMW recommends RON 95 super unleaded petrol.  
<sup>3</sup> The official data for fuel consumption and carbon dioxide emissions were determined in accordance with the measurement processes as defined by European Regulation (EC) 715/2007 in the applicable version. The ranges take into account differences in the selected wheel and tyre size. Figures have been determined on the basis of the new WLTP test cycle and have been converted back into NEDC figures for comparability. Values other than those specified here may apply for the assessment of taxes and other vehicle-related charges that are (also) based on CO<sub>2</sub> emissions.  
<sup>4</sup> Electronically limited.



\* Different value for M40i – front track width: 1594 mm, rear track width: 1589 mm





## YOUR NEW SPEED DATING APP.

DOWNLOAD NOW THE BMW BROCHURES APP FROM YOUR APP STORE AND DISCOVER DRIVING PLEASURE!

### BMW Z4 M40i:

BMW TwinPower Turbo inline 6-cylinder petrol engine, 250 kW (340 hp), 19" M light alloy wheels Double-spoke style 799 M Jet Black uni, exterior colour in San Francisco Red metallic, M Sport seats in leather 'Vernasca' Ivory White with decor stitching, interior trim finishers Aluminium 'Mesheffect', instrument panel in Sensatec, BMW M high-gloss Shadow Line with extended contents.

The models illustrated in this medium show the equipment and configuration options (standard and optional) for vehicles produced by BMW AG for the German market. Alterations in standard and optional equipment and the configurations available for the different models, as described in this medium, may occur after 11/11/2020, the editorial deadline for this medium, or according to the specific requirements of other member states of the European Union. Your local BMW Partner is available to provide further details. Subject to change in design and equipment.

Of course, each vehicle is designed for economical recycling after its long-running life. You can find more information regarding your end-of-life vehicle on our website [www.bmw.de/recycling](http://www.bmw.de/recycling)  
© BMW AG, Munich, Germany. Not to be reproduced wholly or in part without prior written permission of BMW AG, Munich.